

GF - Series Composite Bag Filter Housings

AXEON by Pall® GF - Series Composite Bag Filter Housings are constructed from lightweight polypropylene and include a UV inhibitor for all weather durability. The GF - 100 is customizable for various applications and is resistant to various chemicals. The threaded lid eliminates the need for tools when sealing and unsealing, making it easy to use and maintain.



* Shown with optional powder coated SS stand

Benefits

- No sump disassembly
- No fluid by-pass
- Lightweight, chemically resistant
- Easy access for manual cleaning or in-place flushing
- Uses bags

Features

- 100% polypropylene construction
- Side inlet/bottom outlet eliminates sump to reduce waste
- Twist-off lid design requires no tools for quick and easy changeout
- BGF1 bag compliant
- Clean wall design provides easy access for manual cleaning or in place flushing
- Bag Filter Vessel using BGF1 filter bag
- Hermetic sealing bag filters result in no fluid by-pass
- Stands:
 - Standard with Plastic Legs 304SS Tri-Pod Legs
 - Cone Stand with 2" NPT fitting either 90° elbow or T-pipe configuration
- UV inhibitor for long-lasting, all-weather operation and durability
- Filtration media available in 1-800 micron ratings



Plastic Leg Stand



Metal Leg Stand



Cone Base Stand



Differential Pressure Gauge



Wall Mounting Brackets

Engineered Water Treatment Solutions

GF - Series Composite Bag Filter Housings

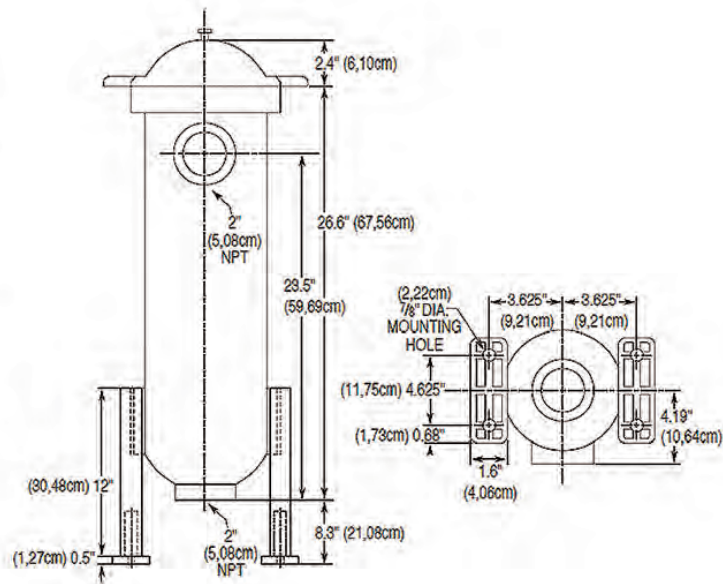
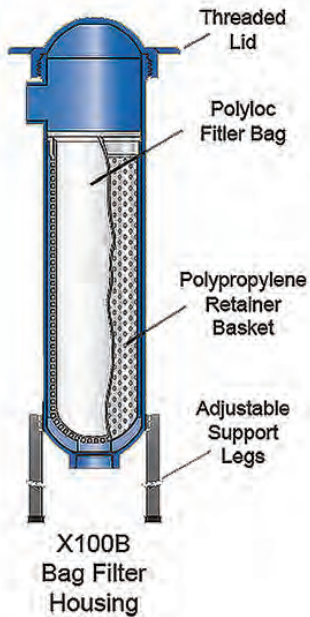
Housing Specifications

Part Number	Model Number	Description	Includes
200739	GF - 100	PLASTIC BAG VESSEL	HOUSING, LID, BASKET, LID GASKET (BUNA-N), PLASTIC LEGS

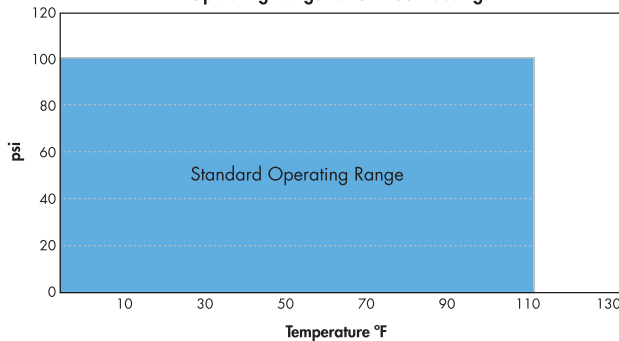
Pressure Rating: 100 PSIG @ 110°F Water Service. Approximate Weight: 10lbs. Port Size: 2" FNPT Threads. Lid Vent: 0.25" NPT

Bag and Cartridge Filters

Part Number	Model	Description	Diameter in (cm)	Length in (cm)	Micron Rating	Case Quantity	Box Dimension in (cm)	Approx. Weight by case (lbs.)	Element Seat
200709	GF - 105	CARTRIDGE, FILTER BAG, 18", 5 MIC, AXEON	6 (15.24)	18 (45.72)	5	50	24.00 X 19.00 X 12.00 (61.00 X 48.20 X 30.50)	7.00	POLYLOC RING
200711	GF - 125	CARTRIDGE, FILTER BAG, 18", 25 MIC, AXEON	6 (15.24)	18 (45.72)	25	50	24.00 X 19.00 X 12.00 (61.00 X 48.20 X 30.50)	7.00	POLYLOC RING
200712	GF - 150	CARTRIDGE, FILTER BAG, 18", 50 MIC, AXEON	6 (15.24)	18 (45.72)	50	50	24.00 X 19.00 X 12.00 (61.00 X 48.20 X 30.50)	7.00	POLYLOC RING



Operating Range for GF-100 Housing



Clear Water Pressure Drop - BGP1 Bags

